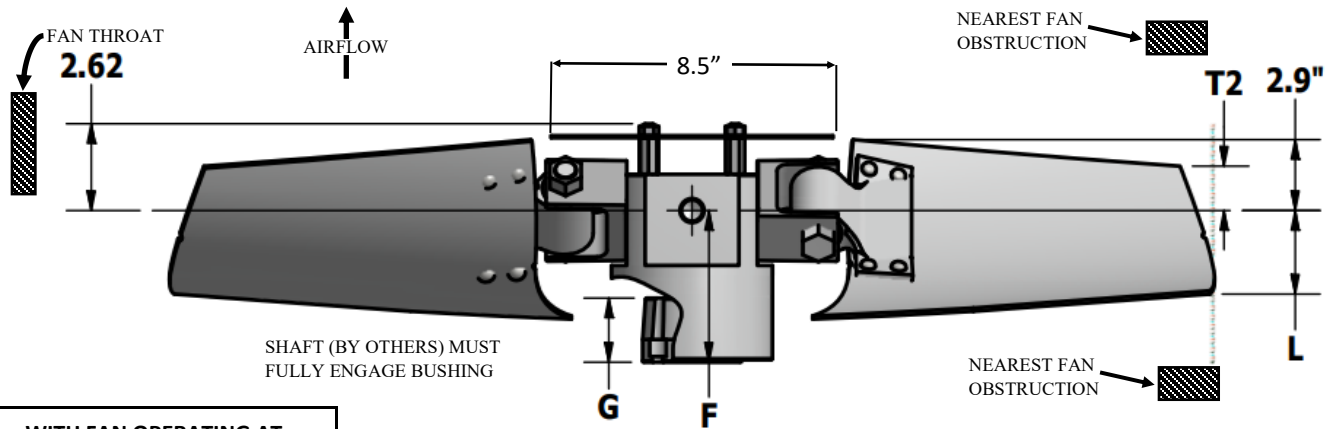
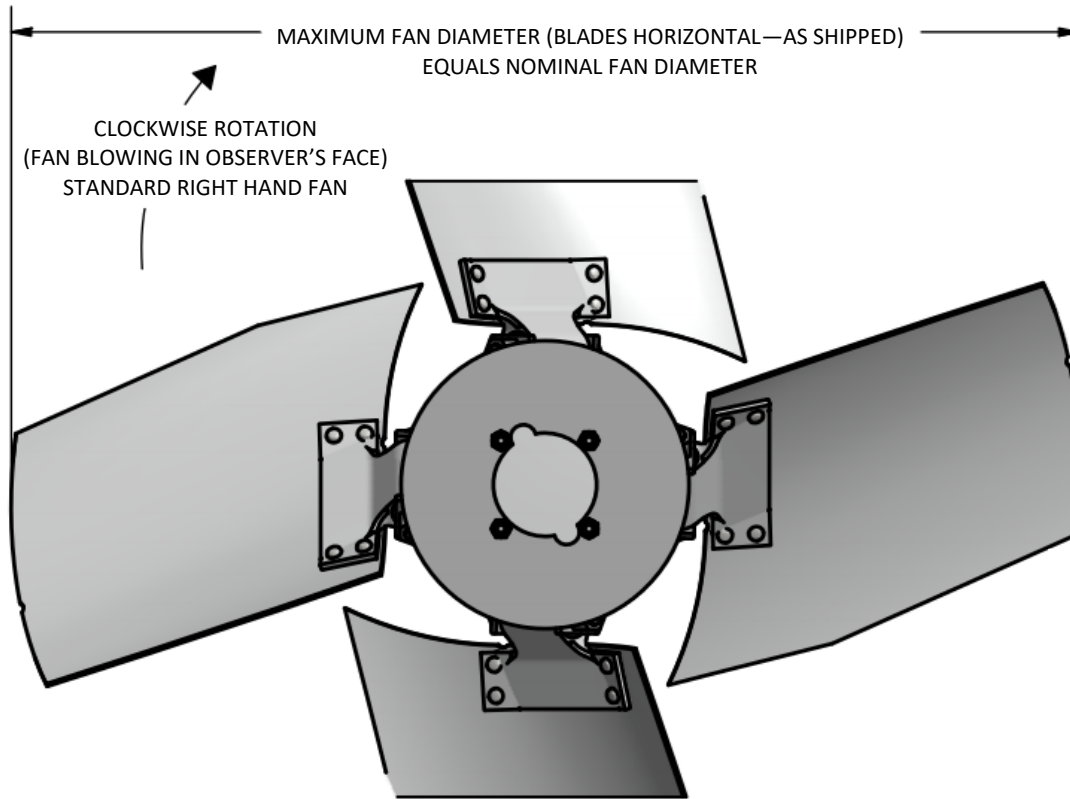


CLASS 1000 SERIES 10

EXTENDED HUB, RH ROTATION



| WITH FAN OPERATING AT 12000 FT/MINUTE BLADE TIP SPEED | | |
|--|------|--|
| PERCENT BLADE LOADING | | |
| | 100% | |

| DIA | T2 | L |
|-----|------|------|
| 24" | 2.6" | 3.0" |
| 30" | 1.9" | 3.2" |
| 32" | 1.7" | 3.2" |
| 36" | 1.4" | 3.3" |
| 42" | 0.9" | 3.4" |
| 48" | 0.1" | 3.8" |

NOTE:
ALL MEASUREMENTS ASSUME HIGHEST BLADE LOADING AND ANGLE (50°)

T2= FAN CENTERLINE TO TRAILING EDGE AT TIP
 F = CENTERLINE OF FAN TO BASE OF BUSHING
 G = BUSHING OVERALL HEIGHT
 L = FAN CENTERLINE TO LEADING EDGE AT TIP
 # = WITH S.A.E. STANDARD SQUARE KEYWAY
 * = WITH SHALLOW KEYWAY IN BUSHING

| MAX BLADES | BUSHING TYPE | MAX # BORE | MAX * BORE | F | G |
|---------------|-----------------|------------------|------------------|------|------|
| 4 | T | 2.000" | 2.188" | 4.6" | 1.9" |